

Eaton's Walterscheid™ Trilogy

Tube connections for all hydraulic systems

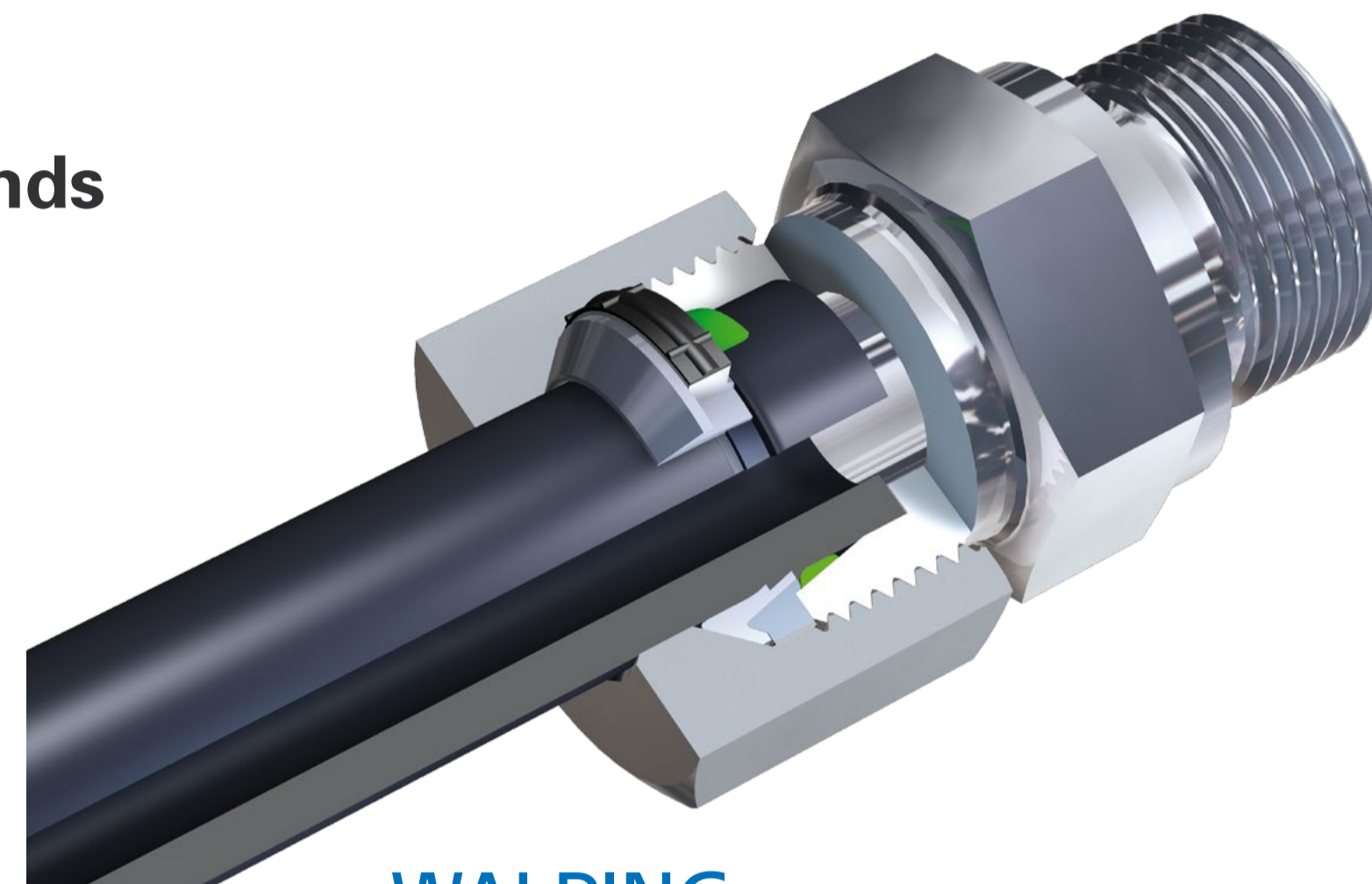


Exceptional advantages:

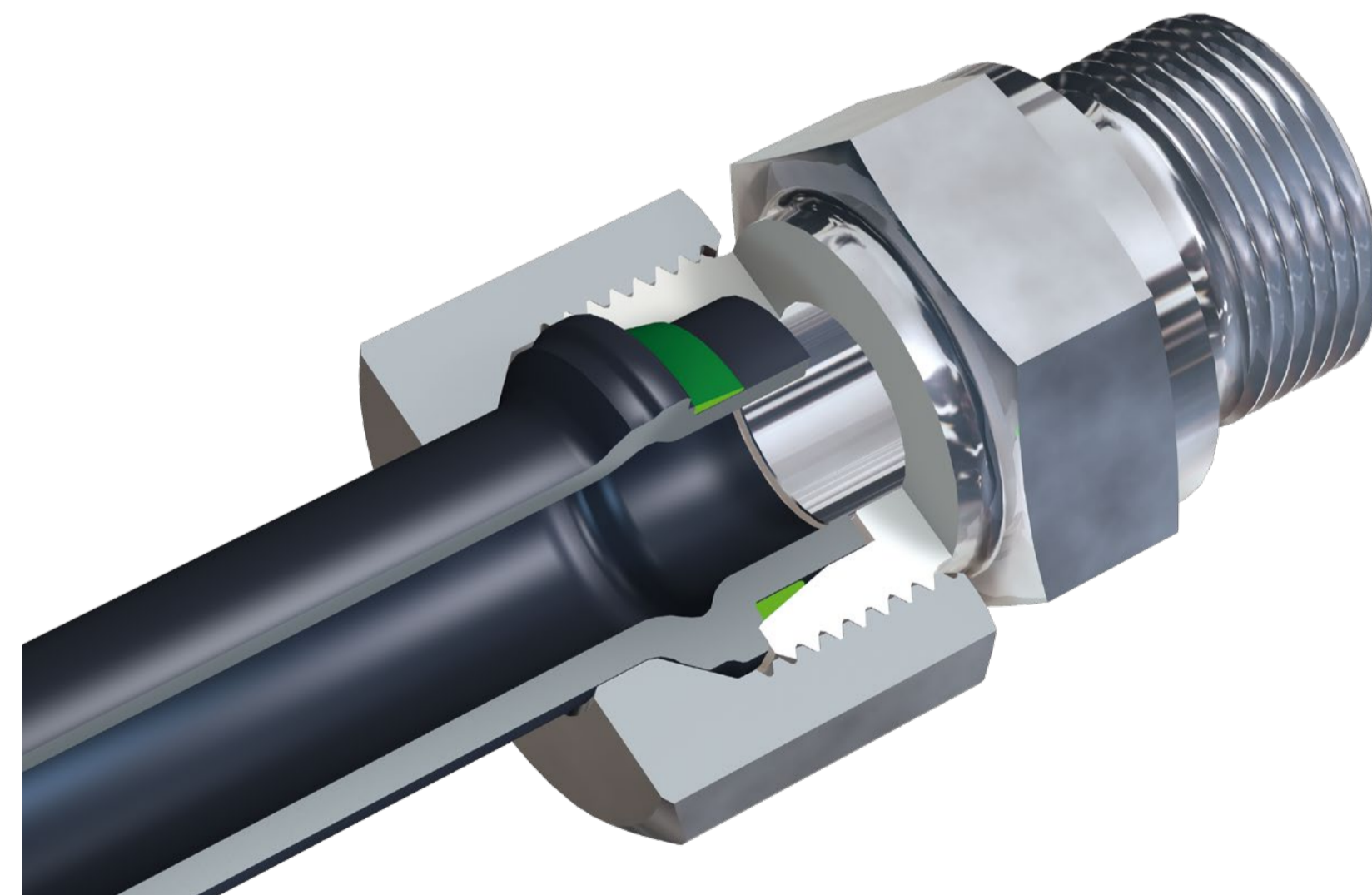
- Simple assembly with pre-fabricated tube ends
- Best-in-class performance
- Maximum system stability and safety
- Highest quality
- Guardian Seal corrosion protection
- Global availability
- Carbon steel and stainless steel options (1.4571)



WALPRO®



WALRING



WALFORM®

Eaton Guardian Seal™

Nickel-free corrosion protection – durable and health-friendly

Eaton is one of the world's leading suppliers of tube fitting systems for hydraulic applications and has been thoroughly examining all existing and new surface treatment options available in the market. Guardian Seal surface plating not only supplies excellent, durable corrosion protection, but also provides a convincing answer from the point of view of health protection and environmental compatibility.

Characteristics

- Corrosion protection up to 360 hrs. to white corrosion (WR) and 720 hrs. to red corrosion (RR) according to VDMA 24576, K5 (exceeding SAE J514 / 96 hrs. to red corrosion)
- Chromium-6 free
- Nickel-free
- Torque value same as Chromium-3 (also known as Hex Chrome free)
- Similar silver appearance to Chromium-3
- Global availability
- Industry-leading sustainable technology



0 hrs.

360 hrs.

720 hrs.

Guardian Seal in salt spray test according to DIN EN ISO 9227

Performance

- All parts built to DIN EN ISO 8434-1 for 24° fittings
- Available in 6-42 mm tube diameters
- Unsurpassed pressure resistance
- 4:1 Safety factor
- Resistance to corrosion up to 720 hrs. against red corrosion according to VDMA 24576/K5
- L Series up to 500 bar / 7,250 psi
- S Series up to 800 bar / 11,600 psi

Eaton's Walterscheid Tube Connection Systems

Eaton has been a leading developer and manufacturer of innovative tube connection systems for hydraulic applications for more than 50 years. The key products of the company, manufactured in Lohmar (Germany), are the WALFORM cold reshaping principle, the WALPRO two-edge cutting ring (profile ring) with controlled final assembly, and the WALRING two-edge cutting ring with additional captive seal. All products in Eaton's Walterscheid Trilogy offer maximum safety and reduced risk of leakage, even under extreme loads. This is due not only to the high quality of the materials and the stability of the system, but also, and above all, to simple, unequivocal final assembly with prefabricated tube ends. Tube fittings from Eaton's Walterscheid products are used in all industries where maximum demands are imposed on the safety of hydraulic connections. They are available worldwide – in both carbon steel and stainless steel (1.4571). In addition, Eaton is an experienced and innovative partner when it comes to developing customer- and application-specific solutions. Thanks to the extensive engineering capabilities of the global Eaton team and the long-standing experience of Eaton's Walterscheid product line engineers, customers can rely on getting complete support – from the project planning phase, the design stage and testing, through validation.

Whether your products move, turn, shape, mold, lift, dig, or haul, you can depend on Eaton's hydraulics products to deliver the performance you need to stay competitive. Eaton's unwavering dedication to leadership in mobile and industrial applications has made Eaton one of the world's preferred suppliers of hydraulic solutions. Eaton pumps, motors, transmissions, valves, cylinders, controls, hose and fittings offer a unique combination of proven technology and innovative design that translates directly into reliable performance and enhanced uptime. Whether you need a single component, a custom-engineered solution, or anything in between, Eaton is the partner of choice for mobile and industrial applications that simply have to work.

For more information, go to www.eaton.com/hydraulics



Eaton Germany GmbH, Werk Lohmar
Hauptstraße 150, D-53797 Lohmar,
Tel. +49 (0) 2246 100-9101, www.eaton.com,
walservice@eaton.com