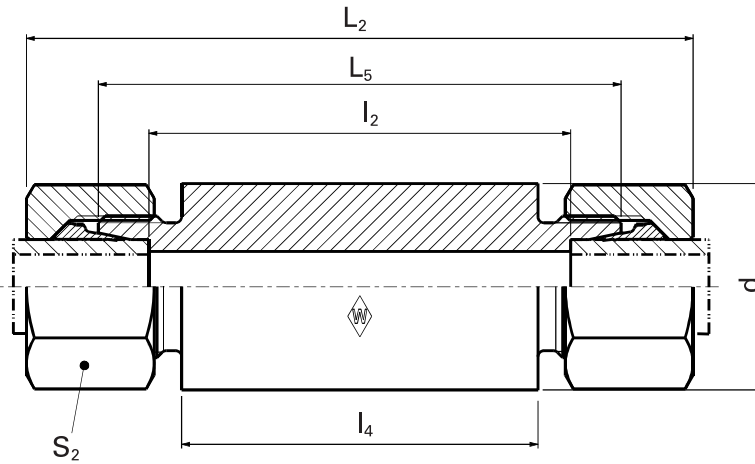


Weld-in bulkhead fittings

P-ESV ...

P-ESV ... -1.4571

E

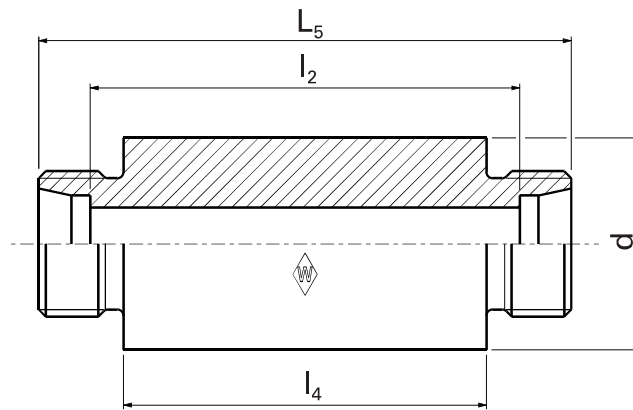


| Series | PN bar (psi) | Tube outer diameter | Model | kg/100 pc. | WALPRO P-ESV ... | | | | | | WALPRO stainless steel P-ESV ...-1.4571* | |
|--------|--------------|---------------------|------------|------------|------------------|----------------|----------------|----------------|----------------|----------------|--|-----------|
| | | | | | L ₂ | L ₅ | I ₂ | I ₄ | d ₁ | S ₂ | Art. no. | Art. no. |
| L | 500 (7252) | 6 | P-ESV 6 L | 13.1 | 85 | 70 | 56 | 50 | 18 | 14 | WAL373511 | WAL620144 |
| | | 8 | P-ESV 8 L | 16.2 | 85 | 70 | 56 | 50 | 20 | 17 | WAL373512 | WAL620236 |
| | | 10 | P-ESV 10 L | 19.5 | 87 | 72 | 58 | 50 | 22 | 19 | WAL373513 | WAL620145 |
| | 400 (5801) | 12 | P-ESV 12 L | 24.1 | 87 | 72 | 58 | 50 | 25 | 22 | WAL373514 | WAL620158 |
| | | 15 | P-ESV 15 L | 35.3 | 100 | 84 | 70 | 60 | 28 | 27 | WAL373515 | WAL620237 |
| | | 18 | P-ESV 18 L | 46.9 | 101 | 84 | 69 | 60 | 32 | 32 | WAL373516 | WAL620235 |
| | | 22 | P-ESV 22 L | 58.2 | 105 | 88 | 73 | 60 | 36 | 36 | WAL373517 | WAL620238 |
| | 250 (3626) | 28 | P-ESV 28 L | 66.0 | 106 | 88 | 73 | 60 | 40 | 41 | WAL373518 | WAL620488 |
| | | 35 | P-ESV 35 L | 102.9 | 114 | 92 | 71 | 60 | 50 | 50 | WAL373519 | WAL620274 |
| 42 | | P-ESV 42 L | 148.8 | 115 | 92 | 70 | 60 | 60 | 60 | WAL373520 | WAL620839 | |
| S | 800 (11603) | 6 | P-ESV 6 S | 16.9 | 89 | 74 | 60 | 50 | 20 | 17 | WAL373521 | WAL620679 |
| | | 8 | P-ESV 8 S | 20.4 | 89 | 74 | 60 | 50 | 22 | 19 | WAL373522 | WAL620292 |
| | | 10 | P-ESV 10 S | 27.0 | 91 | 74 | 59 | 50 | 25 | 22 | WAL373523 | WAL620680 |
| | 630 (9137) | 12 | P-ESV 12 S | 33.1 | 91 | 74 | 59 | 50 | 28 | 24 | WAL373524 | WAL620423 |
| | | 14 | P-ESV 14 S | 44.7 | 107 | 88 | 72 | 60 | 30 | 27 | WAL373525 | WAL620681 |
| | | 16 | P-ESV 16 S | 57.8 | 107 | 88 | 71 | 60 | 35 | 30 | WAL373526 | WAL620146 |
| | 420 (6091) | 20 | P-ESV 20 S | 73.2 | 114 | 92 | 71 | 60 | 38 | 36 | WAL373527 | WAL620002 |
| | | 25 | P-ESV 25 S | 114.6 | 120 | 96 | 72 | 60 | 45 | 46 | WAL373528 | WAL620001 |
| | | 30 | P-ESV 30 S | 134.4 | 126 | 100 | 73 | 60 | 50 | 50 | WAL373529 | WAL620239 |
| | | 38 | P-ESV 38 S | 191.3 | 133 | 104 | 72 | 60 | 60 | 60 | WAL373530 | WAL620346 |

⚠ Caution: The pressure specifications refer to the steel version. For the stainless steel version (1.4571), please refer to the pressure specifications on page B5.
 *Complete stainless steel fittings (1.4571) with silver-plated nut (AG/AGP), see price list
 L₂= approximate dimension if the union nut is tightened

Special parts are available on request.

ESS ...
ESS ... -1.4571



E

System nuts for supplementing the stud
(for technical data, see part D of this catalog)

| Series | PN bar (psi) | Tube outer diameter | Model | kg/ 100 pc. | Stud | Stainless steel stud | WALRING | WALFORM | WALFORM |
|--------|-----------------|---------------------------|----------|----------------|-----------|----------------------|------------|-------------|---|
| | | | | | ESS ... | ESS ... -1.4571* | W-R ... VI | WF-M ... VI | stainless steel WF-M ... VI-1.4571* |
| | | | | | Art. no. | Art. no. | Art. no. | Art. no. | Art. no. |
| L | 500 (7252) | 6 | ESS 6 L | 10.3 | WAL037995 | WAL061099 | WAL624607 | WAL625940 | WAL625980 |
| | | 8 | ESS 8 L | 12.3 | WAL037996 | WAL067360 | WAL624608 | WAL625941 | WAL625981 |
| | | 10 | ESS 10 L | 14.4 | WAL037997 | WAL061101 | WAL624609 | WAL625942 | WAL625982 |
| | 400 (5801) | 12 | ESS 12 L | 17.9 | WAL037998 | WAL060689 | WAL624610 | WAL625943 | WAL625983 |
| | | 15 | ESS 15 L | 26.5 | WAL037999 | WAL067418 | WAL624611 | WAL625944 | WAL625984 |
| | | 18 | ESS 18 L | 33.4 | WAL038000 | WAL060686 | WAL624612 | WAL625945 | WAL625985 |
| | | 22 | ESS 22 L | 39.9 | WAL038001 | WAL067420 | WAL624613 | WAL625946 | WAL625986 |
| | 250 (3626) | 28 | ESS 28 L | 45.1 | WAL038002 | WAL066897 | WAL624614 | WAL625947 | WAL625987 |
| | | 35 | ESS 35 L | 72.2 | WAL038003 | WAL068958 | WAL624615 | WAL625948 | WAL625988 |
| | | 42 | ESS 42 L | 100.7 | WAL038004 | WAL069205 | WAL624616 | WAL625949 | WAL625989 |
| S | 800 (11603) | 6 | ESS 6 S | 13.6 | WAL038005 | WAL617500 | WAL624617 | WAL625950 | WAL625990 |
| | | 8 | ESS 8 S | 16.4 | WAL038006 | WAL371031 | WAL624618 | WAL625951 | WAL625991 |
| | | 10 | ESS 10 S | 20.3 | WAL038007 | WAL372568 | WAL624619 | WAL625952 | WAL625992 |
| | 630 (9137) | 12 | ESS 12 S | 25.3 | WAL038008 | WAL061848 | WAL624620 | WAL625953 | WAL625993 |
| | | 14 | ESS 14 S | 16.8 | WAL038009 | WAL060319 | | | |
| | | 16 | ESS 16 S | 44.5 | WAL038010 | WAL061103 | WAL624621 | WAL625954 | WAL625994 |
| | 420 (6091) | 20 | ESS 20 S | 51.7 | WAL038011 | WAL024157 | WAL624622 | WAL625955 | WAL625995 |
| | | 25 | ESS 25 S | 72.5 | WAL038012 | WAL024155 | WAL624623 | WAL625956 | WAL625996 |
| | | 30 | ESS 30 S | 87.9 | WAL038013 | WAL066873 | WAL624624 | WAL625957 | WAL625997 |
| | | 38 | ESS 38 S | 125.5 | WAL038014 | WAL372103 | WAL624625 | WAL625958 | WAL625998 |

⚠ Caution: The pressure specifications refer to the steel version. For the stainless steel version (1.4571), please refer to the pressure specifications on page B5.

Special parts are available on request.